

specimens appear to be new species of *Drosera* that warrant further collections and study for possible species classification.

CP Fountain Jar

By Ken D. Jones (P.O. Box 24218, San Jose, CA 95124)

As anyone who has ever tried to raise carnivorous plants knows, they generally don't have any tolerance for being allowed to dry out.

The general methods for preventing this are to grow in a sealed terrarium, water each plant everyday, or stand the pots in a shallow tray of water.

I have tried each of these methods with limited success. When I tried to grow in a sealed terrarium, the live spagnum grew faster than and soon overwhelmed the smaller plants.

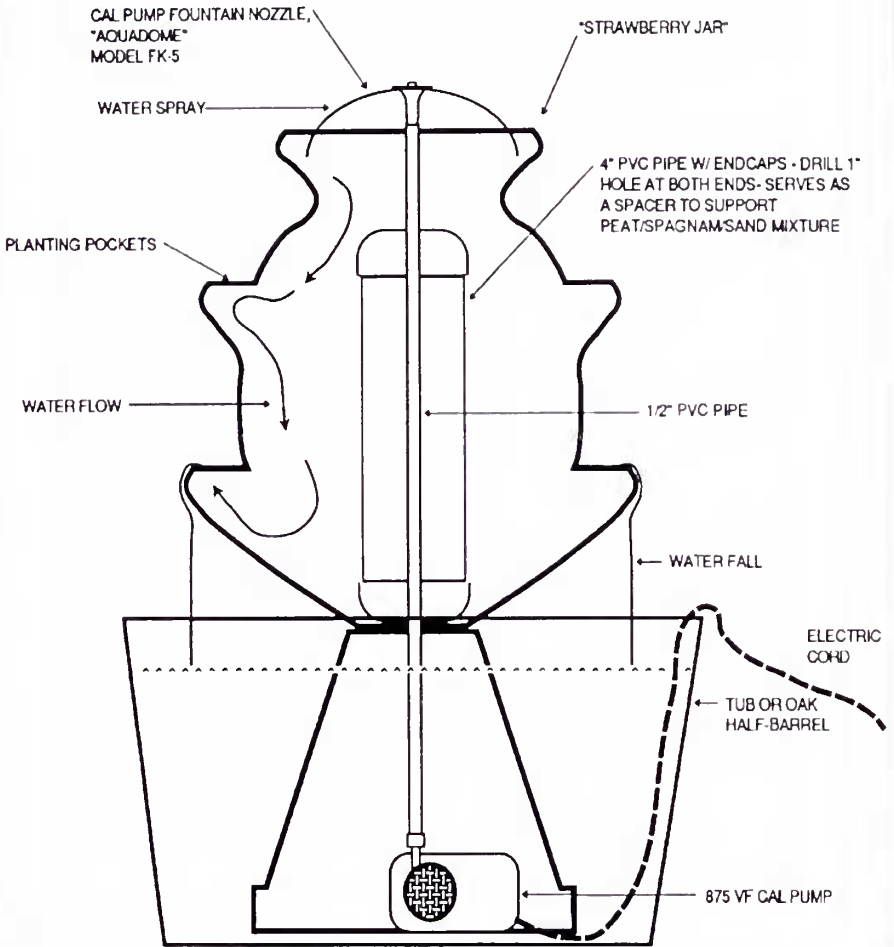
When I switched to a peat and sand mix, it too sprouted and rapidly buried smaller seedlings, I next tried individual watering. It only took one vacation with a 'forgetful' friend to watch over things to convince me that this wasn't the perfect solution either. So, I switched back to terrariums, but put the plants in individual pots sitting in 1/4 inch of water. This had the advantage of providing constant water and high enough humidity so the plants grew better than the moss. Unfortunately, another vacation proved that this was not the perfect solution either. (Crispy sundews don't recover too well)

As this point I was reminded of a device we used to use to provide water for our chickens. It consisted of a tray with a bottle of water inverted in it. A small channel under the lip of the bottle would allow water out of the bottle and air in until the water got up to the point that no more air could enter and the flow stopped. Unfortunately, while this system could maintain the needed 1/4 inch of water, it took up way too much space in the terrarium.

As a result, I went over to my local hardware store and spent a day or so trying to fit together various bits of plumbing to accomplish the same thing using a lot less space. After many false starts (and attempts to change the laws of physics) I finally ended up with the design shown in the photos. It consists of a two-liter bottle, a 3/4 inch slip to 1/2 inch threaded adapter and a 1/2 inch slip cross fitting. In the center of the cross fitting I drilled/carved/filed a half inch hole. Next, the inside of the 3/4 slip fitting must be roughed up and the neck of the bottle filed down to fit into it. The two are then glued together with a silicone aquarium sealant and allowed to cure.

After the sealant has cured, the bottle is filled with water and inverted into the hole drilled in the cross fitting. Depending on the fitting used, the threaded portion may have to be filed shorter to get the water to flow and then to adjust for the desired water level. In a ten gallon aquarium a two-liter bottle will last me about two weeks and takes up less space than a four-inch pot.

CP FOUNTAIN JAR



WATERGARDENS

INTERNATIONAL

Waterfalls, Fountains, Koi & Lily Ponds

DATE/TITLE

CP FOUNTAIN JAR

SIDE	DESIGNED BY	Ken D. Jones ph 408/281-0540	SCALE NO.	101
	PLANS	NONE	DATE	5/19/90

This document is confidential and proprietary to Watergardens International and cannot be used, disclosed or duplicated without the prior written consent of Watergardens International. This is an unpublished work protected by the federal copyright laws and no unauthorized copying, adaptation, distribution or display is permitted.

02/90/103/01



Detail of Cap Assembly



Assembled Cap

Photos by Bill Weaver



CP Fountain Jar in Terrarium